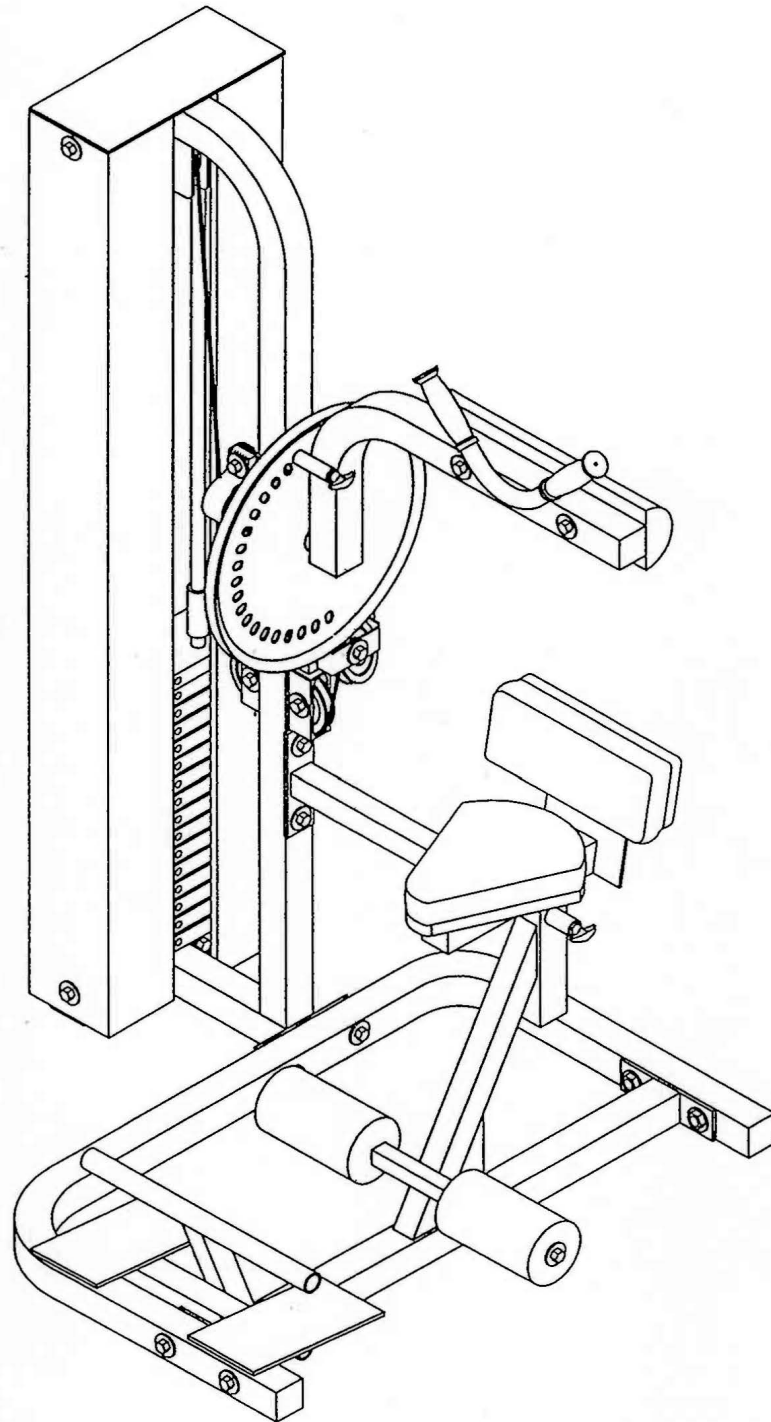
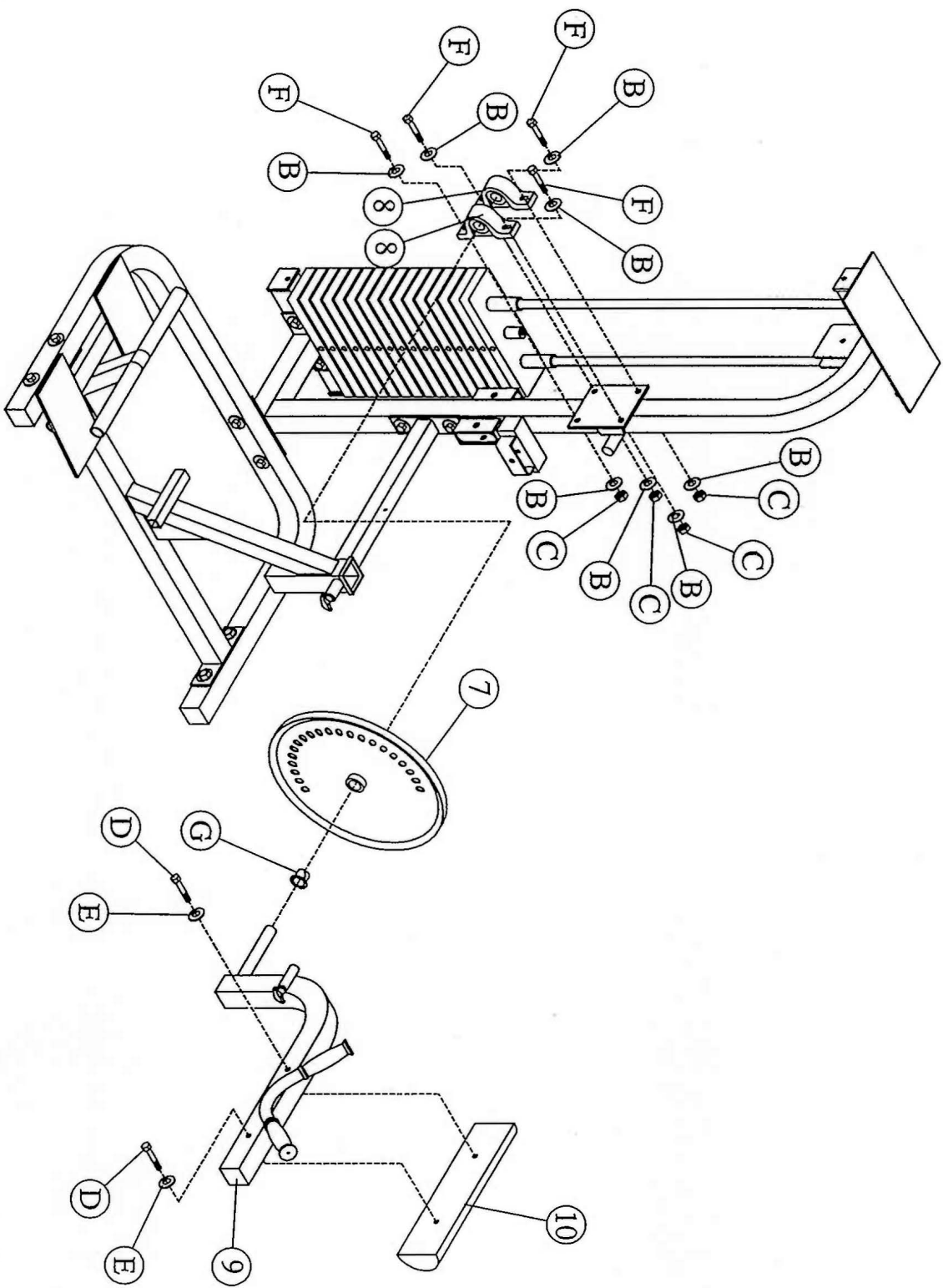


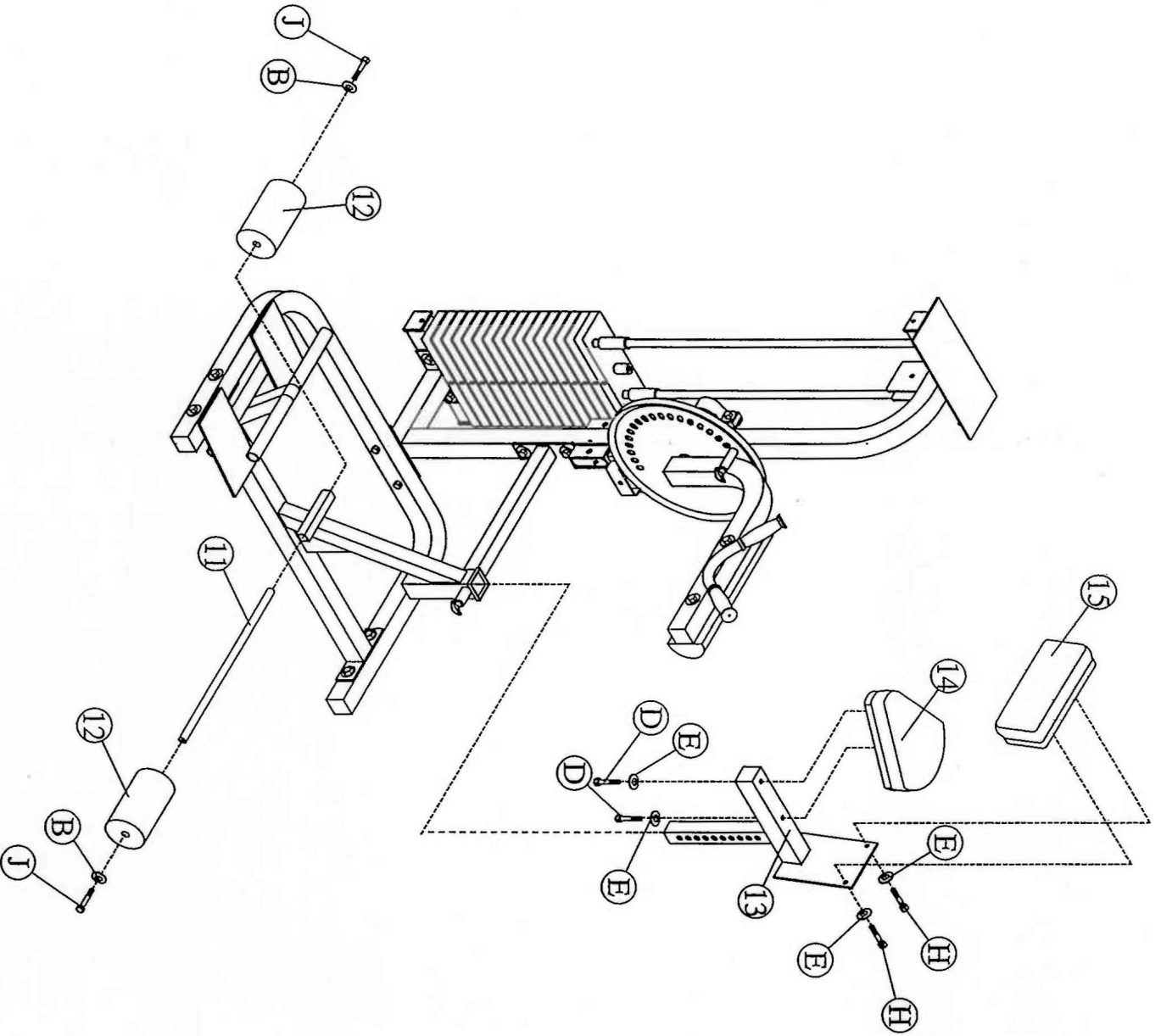
HOIST[®]
FITNESS SYSTEMS

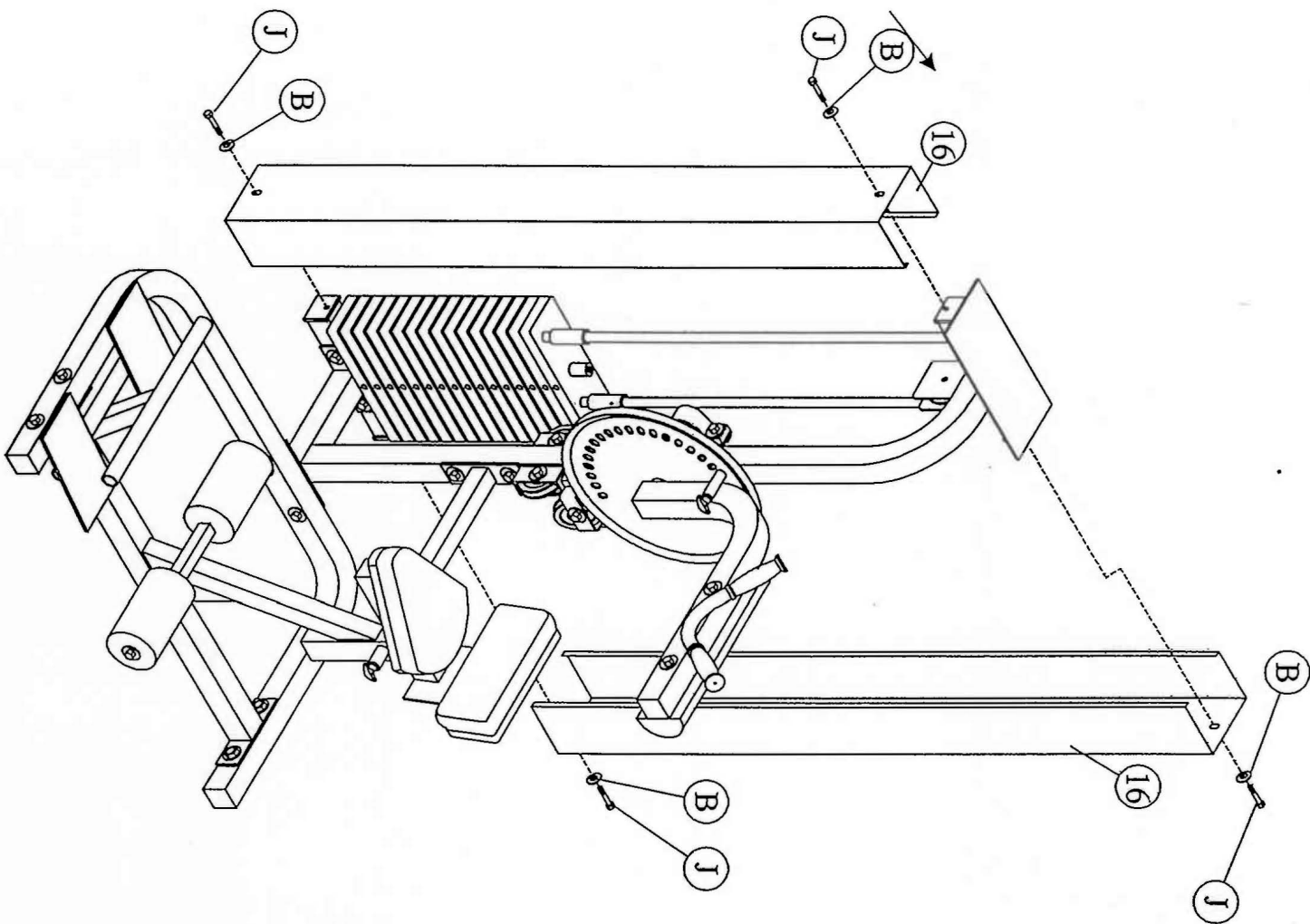
S601

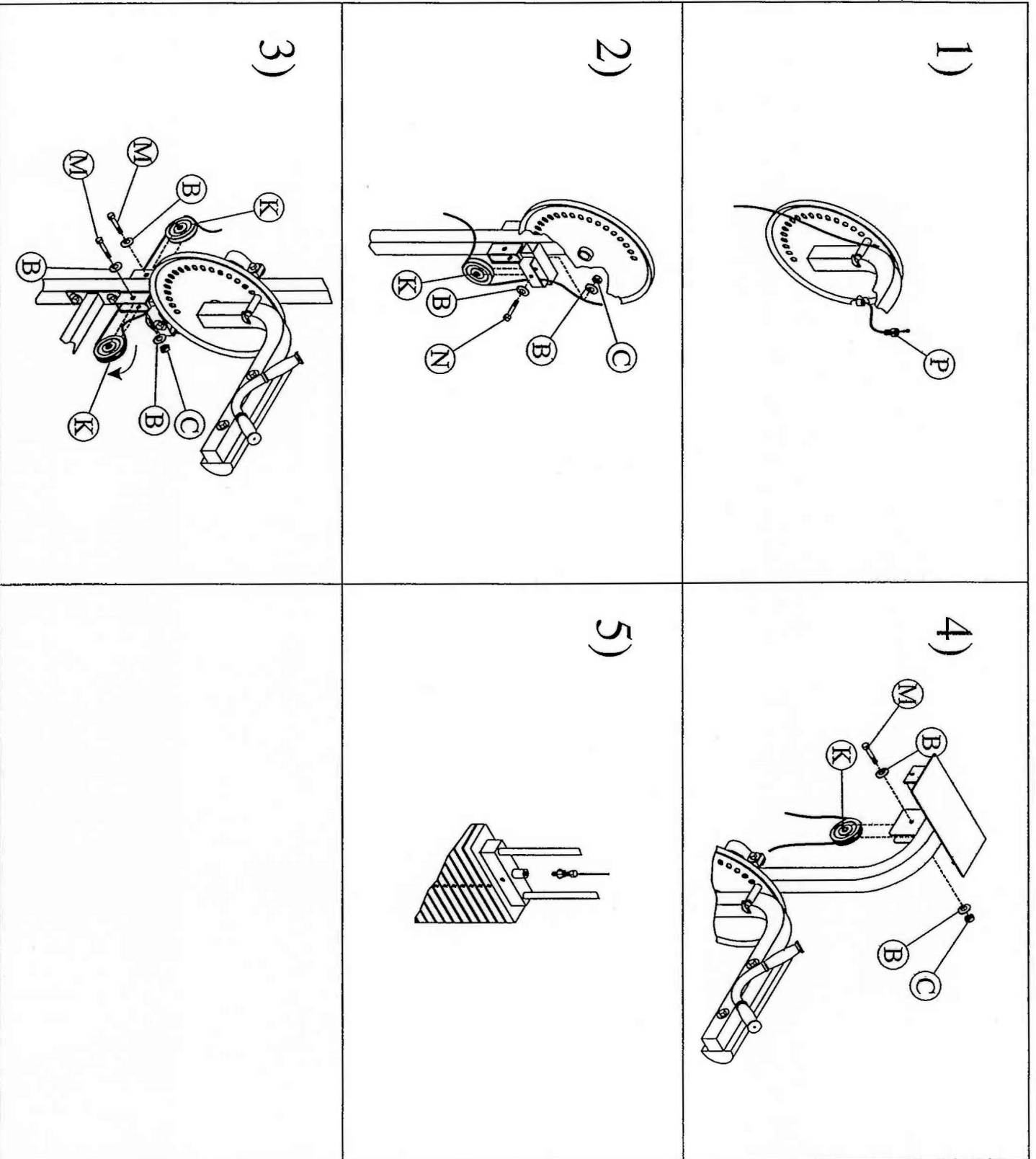
ABDOMINAL MACHINE

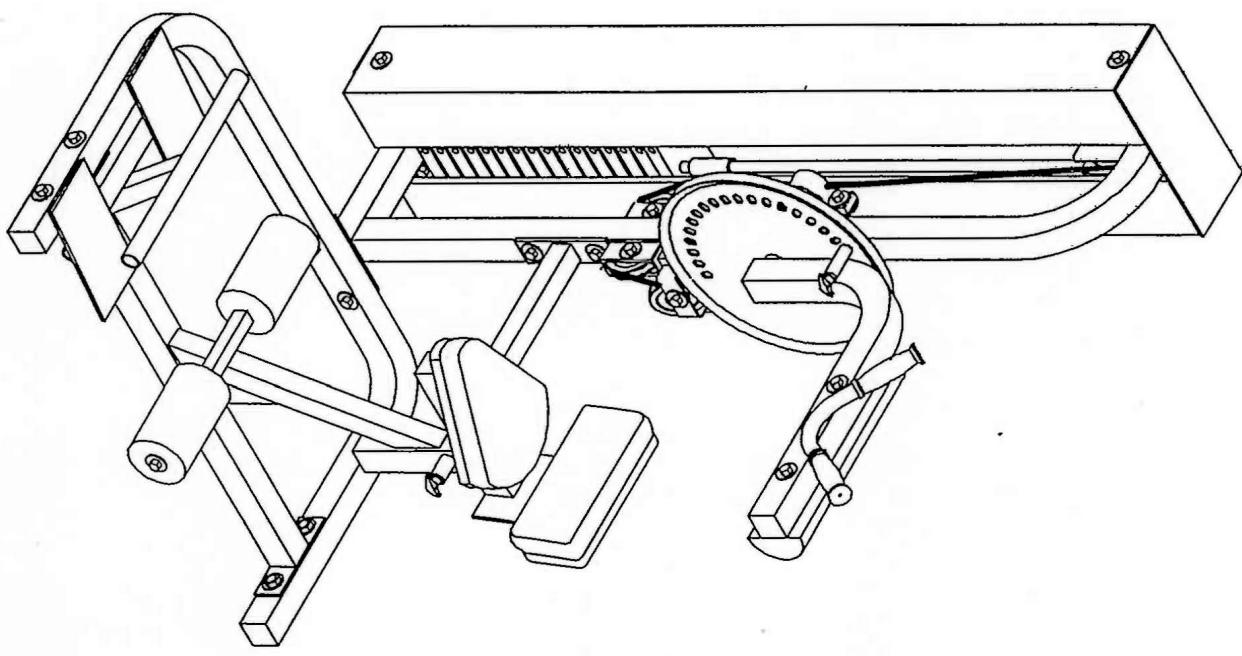




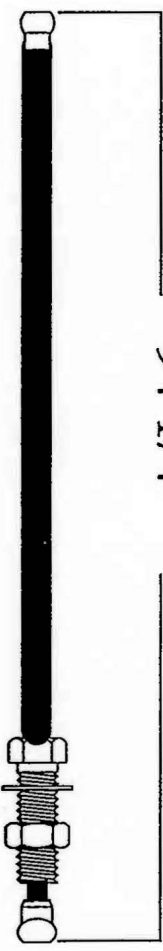


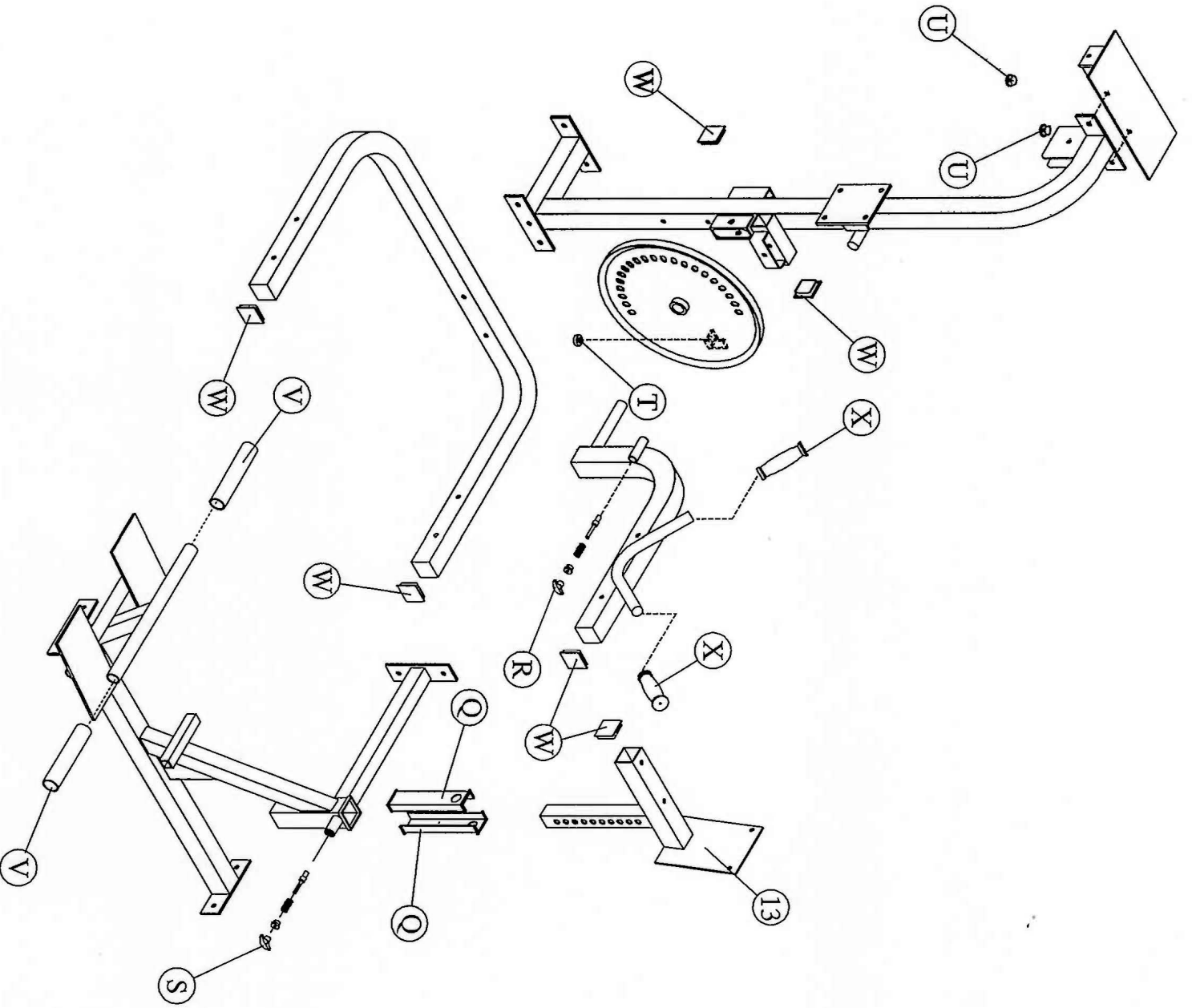






94 1/4"





PARTS LIST

Key No.	Qty.	Part Number	Description
1	1	61-S601-02	WEIGHT CAGE
2	1	61-S601-09	BASE
3	1	61-S601-01	SEAT ASSEMBLY
4	1	61-S601-03	WEIGHT STACK TOP
5	1	61-S601-04	WEIGHT STACK BOTTOM
6	1	26-STD-SWTOP-1	8 1/2 LB. TOP WEIGHT PLATE W/ STEM
7	1	61-S601-06	CAM/RANGE ASSEMBLY
8	2	14-BRG-RAD1PILP	PILLOW BLOCK BEARINGS
9	1	61-S601-051	ARM ASSEMBLY
10	1	26-STD-SU416	4" DIA. X 16" HALF ROUND PAD
11	1	61-S601-07	ROLLER MOUNT
12	2	26-STD-SUR-407-B	4" X 7" ROLLER PAD
13	1	61-S601-08	SEAT ADJUSTER
14	1	26-STD-SU911-A	SEAT
15	1	26-STD-SU512	BACK PAD
16	2	26-STD-SSH120	59 3/4" SHIELDS
17	2	26-STD-SG107	3/4" DIA. X 59 3/4" GUIDE ROD
18	14	26-STD-SW101	12 1/2 LB. INTERMEDIATE PLATE
19	2	19-WSB-12	1/2" RUBBER DONUT
20	1	61-S601-15	CROSSMEMBER

Key No.	Qty.	Part Number	Description
A	12	11-HEX-38234	3/8 x2 3/4" HEX BOLT
B	36	13-FLT-38	3/8 USS FLAT WASHER
C	16	12-LOK-38	3/8 CENTER LOCK HEX NUT
D	4	11-HEX-5163	5/16 X 3 HEX BOLT
E	6	13-FLT-516	5/16 USS FLAT WASHER
F	4	11-HEX-38112	3/8 x 1 1/2 HEX BOLT
G	1	14-BRG-NYLI	NYLINEAR BUSHING
H	2	11-HEX -516114	5/16 X 1 1/4 HEX BOLT
J	4	11-HEX-38(16)1	3/8 X 1 HEX BOLT
K	4	18-PUL-312	3 1/2" PULLEY
M	3	11-HEX-38(16)2	3/8 X 2 HEX BOLT
N	1	11-HEX-38312	3/8 X 3 3/4 HEX BOLT
P	1	26-STD-SM199	QUICK RELEASE CLEVIS
Q	2	26-STD-PLAS-112	EZ GLIDE SEAT INSERT
R	1	26-STD-SM129	1/2" PULLPIN (LONG)
S	1	26-STD-SM128	1/2" PULLPIN (SHORT)
T	1	19-PLG1	PLUG BUMPER
U	2	14-BSH-GRD34	3/4 GUIDE ROD SNAP BUSHING
V	2	26-STD-PLAS-126	KNURLED PLASTIC FOOT REST
W	6	16-CAP-22	2" X 2" END CAPS
X	2	19-GRP-78COMFORT	COMFORT GRIP